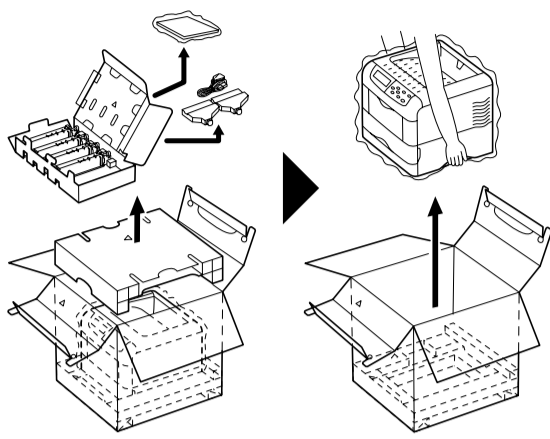
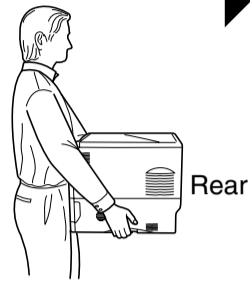


Unpacking

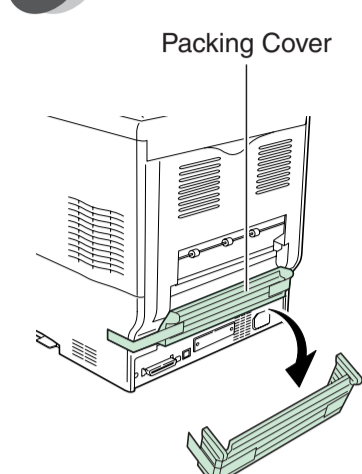
1 Unpack the printer.



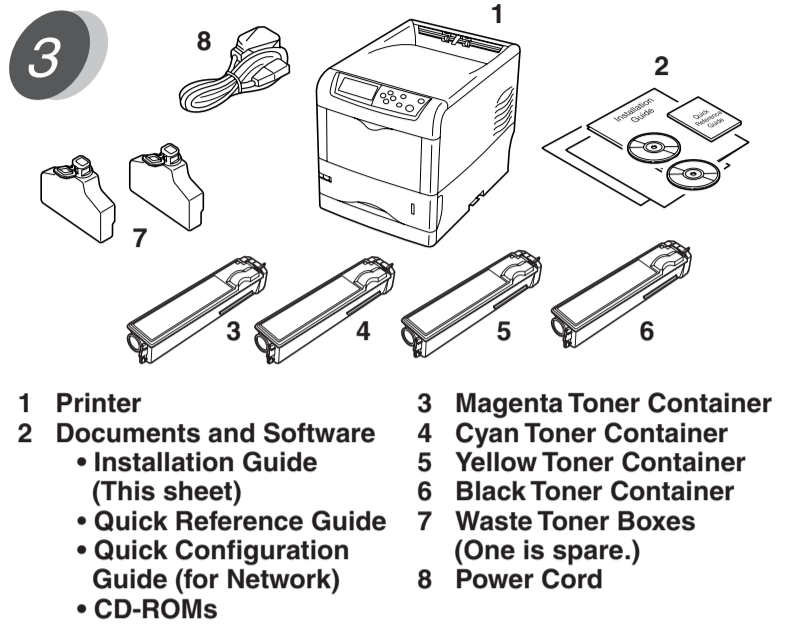
Be sure to hold the right and left sides of the printer when carrying it, as shown in the illustration.



2 Remove the packing cover.



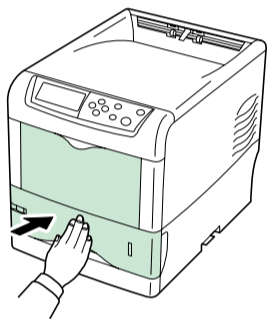
Checking Parts and Components



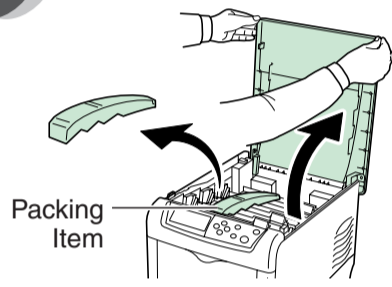
- 1** Printer
- 2** Documents and Software
 - Installation Guide (This sheet)
 - Quick Reference Guide
 - Quick Configuration Guide (for Network)
 - CD-ROMs
- 3** Magenta Toner Container
- 4** Cyan Toner Container
- 5** Yellow Toner Container
- 6** Black Toner Container
- 7** Waste Toner Boxes (One is spare.)
- 8** Power Cord

Installing the Toner Containers and Waste Toner Box

4 Close the paper transfer unit tightly.

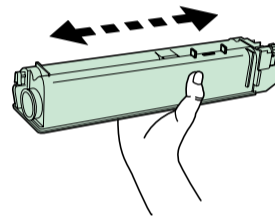


5 Open the top cover and remove the packing item.

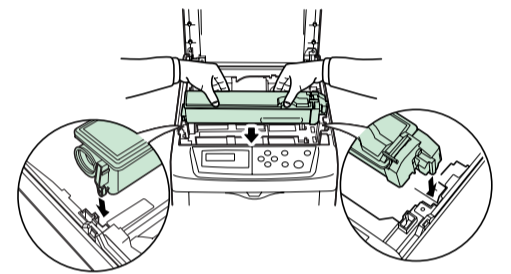


In this example, it is assumed that you are installing the black toner container.

6 Shake the new toner container 5 or 6 times as shown in the figure in order to distribute the toner evenly inside the container.

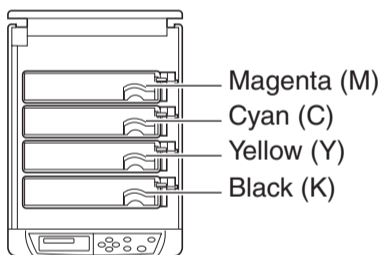


7 Set the new toner container in the printer as shown in the figure below.

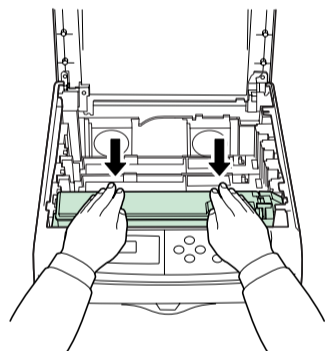


Note

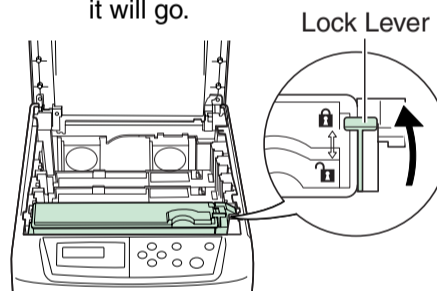
Be sure you set the toner container in the correct location for that color.



8 Push down on the top of the toner container to install it firmly in place.

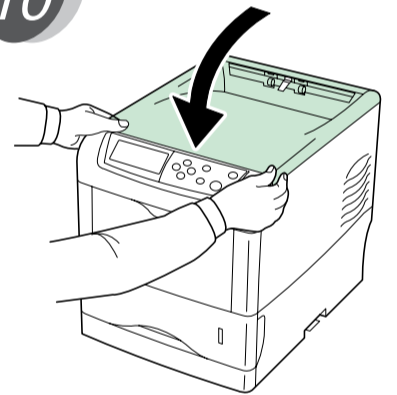


9 Push the blue lock lever on the toner container back towards the locked symbol (🔒) as far as it will go.

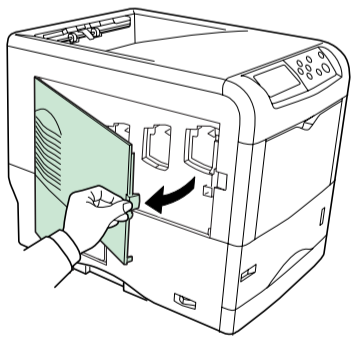


To install the other color toner containers, use the same procedure above.

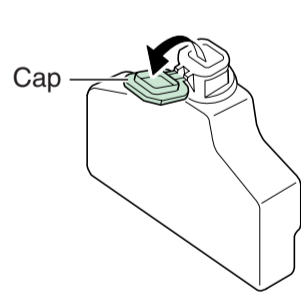
10 Close the top cover.



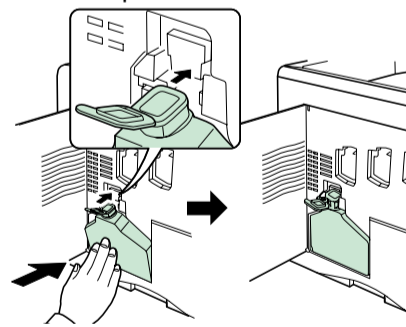
11 Open the left cover.



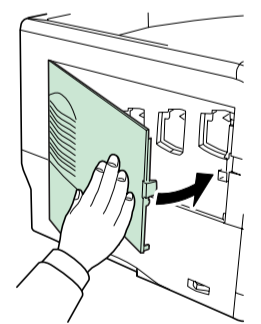
12 Open the cap of the waste toner box.



13 Insert the waste toner box as shown in the figure. When the box is set correctly, it will snap into place.

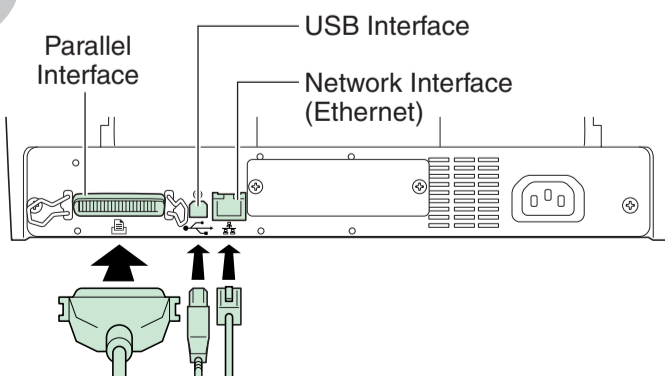


14 Make sure that the waste toner box is correctly inserted and close the left cover.

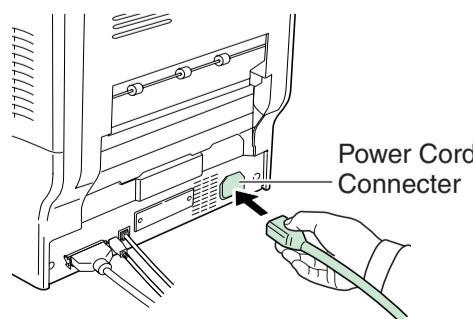


Making Connections

15 Connect to the computer.



16 Connect the power cord to the power outlet.



17 Turn on (|) the printer power switch.

